



ARC
CLUSTER

A R C F O R M

BEAUTIFUL | *British* | LIGHTING

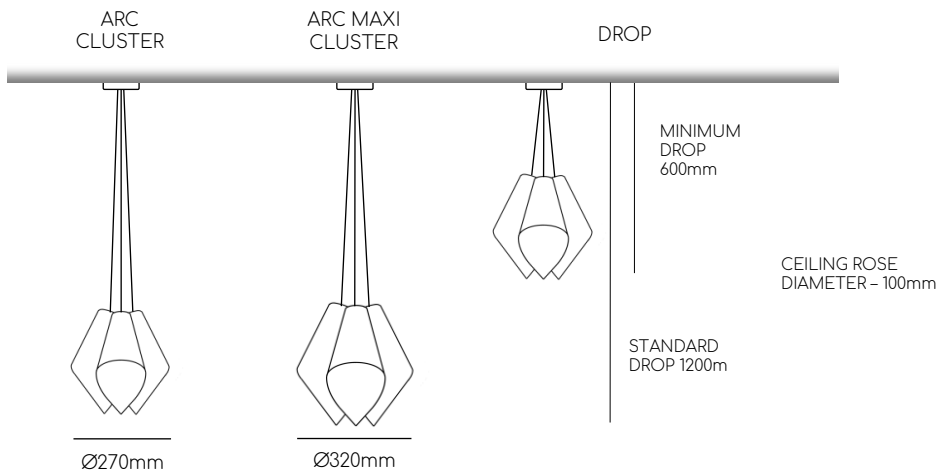
ARC CLUSTER SPECIFICATION

The ARC Cluster comprises 3 ARC pendants mounted back to back. Available in 2 sizes.

They are also fully customisable with configuration, size, materials and finishes all tailored to individual customer requirements.

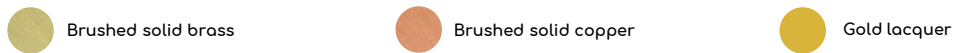
DIMENSIONS & DROP

The ARC Cluster is supplied with drop set to customers requirements. Drop is not adjustable on site.

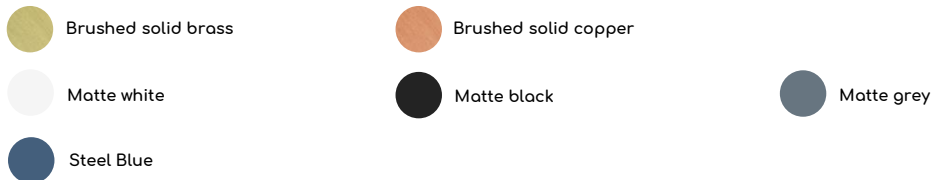


MATERIALS / FINISHES

SHADE INNER



SHADE OUTER - STANDARD FINISHES



CEILING PLATES & CABLE

Ceiling plates in matte black or matte white as standard.

Black / white / gold round braided cable as standard.

CUSTOM FINISHES

Shades and ceiling plates can be supplied in any colour.

50+ cable colours are available on request in both twisted and round.

ARC CLUSTER

SPECIFICATIONS

SUITABILITY	Indoor
IP RATING	IP20
WEIGHT (APPROX.)	2.5kg
NUMBER OF LIGHTS	3
MAXIMUM WATTAGE	9w LED
VOLTAGE	230 (AC)
BULB SUPPLIED	No
COUNTRY OF MANUFACTURE	United Kingdom
LAMP HOLDER	B22
HEIGHT (MM)	280
DIAMETER (MM)	380